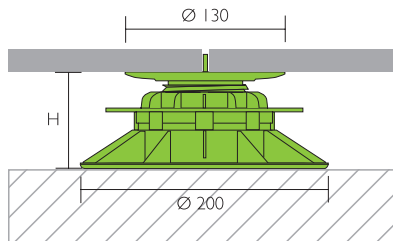


PROSTILT pedestal and slab support system

Laying system for ceramic and stone terraces



Use and applications:

The **PROSTILT** pedestal support system offers the perfect solution for creating an aesthetically pleasing ceramic, concrete or natural stone balcony or terrace covering that is easy and quick to install. Thanks to the high load bearing capacity even large-format tiles and slabs can be laid.

The **PROSTILT** support system is continuously adjustable in terms of height and incline. Gradients underground can be balanced out independently of gradients of the surface covering, and flat laying of the slab covering is therefore possible.

With the **PROSTILT** support system, the covering is laid in a capillary-breaking way and frost damage is avoided.

With the open joints, surface water is quickly drained off into the ground and the coverings can be dried out more quickly.

It is possible to create design-orientated facing systems with the clips supplied to go with the system and the facing profile made of stainless steel.

Product advantages:

- Simple and fast installation
- Manufacture of a second drainage level under the walkable covering
- Balancing of large height differences and gradients is possible
- No frost damage due to the slab pedestal supports
- Due to the low weight of the adjustable feet, superstructures and roof terraces with weight limits can also be constructed
- Good drying of the covering due to ventilation underneath
- Rapid water draining due to the open joints
- Slabs can be taken up again or replaced
- Suitable for outdoor slabs of 18-21 mm thickness with facing solution

- Height adjustment is possible without an additional tool
- Laying of cables, pipes, ground drainage, etc. underneath the covering level is possible, and these also remain accessible following installation
- Dry laying - the use of construction chemical binding agents is (e.g. mortar) is not required
- Even joint width of 3 mm
- It is even possible to build on the covering already laid
- Can be reversed without any problem
- Recyclable

Technical data:

Adjustment range [mm]	11 - 15 / 15 - 19 / 19 - 27 / 27 - 40 / 40 - 70 / 70 - 120 / 120 - 170 / 170 - 270 / 270 - 370
Material	Talcum-reinforced polypropylene Colour: black
Dimensions	Head: 130 mm diameter 132 cm ² surface Floor slab: 200 mm diameter 314 cm ² surface Joint bridge height: 14 mm
Characteristics	<ul style="list-style-type: none"> • Resistant to acid, alkali solutions and salt • weather-resistant • UV-stable • high impact, blow and breaking strength • Temperature-resistant from -35 °C to +60 °C • Maximum load capacity / stilt foot: 1.2 t

PROSTILT pedestal and slab support system

Storage and transport:

Transport and store in dry locations protected from UV rays, frost, dirt and other foreign bodies.

Environment and disposal:

PROSTILT supports are recyclable and can be put with plastic recycling. Observe any official local regulations.

System components:



PROSTILT basic adjustable foot

Height adjustment(mm): 11 - 15 / 15 - 19 / 19 - 27 / 27 - 40

Item no.: 79798 / 79799 / 79800 / 79801

Shipping unit: Carton with 52 units



PROSTILT adapter head / adapter head U self-levelling

for continuous balancing of gradients from 0 - 5 %

Item no.: 79790 / 79791

Shipping unit: 100 pieces



PROSTILT basic+ adjustable foot

Height adjustment(mm): 40 - 70 / 70 - 120 / 120 - 170 / 170 - 270 / 270 - 370

Item no.: 79802 / 79803 / 79804 / 79805 / 79806

Shipping unit: Carton with 52 / 36 / 24 / 18 / 12 units



PROSTILT gradient disc

for continuous balancing of gradients from 0 - 7 %

Item no.: 79812

Shipping unit: Carton with 20 units



PROSTILT step impact protection pad

Thickness 3.0 mm, diameter 130 mm

Item no.: 79813

Shipping unit: Carton with 50 units



PROSTILT slab profiles

Height: 10 mm / 20 mm

Item no.: 79816 / 79817

Shipping unit: Carton with 60 units

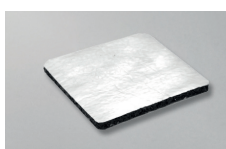


PROSTILT balancing disc

for fine adjustment
Diameter: 120 mm, thickness 1 mm

Item no.: 79811

Shipping unit: Carton with 50 units



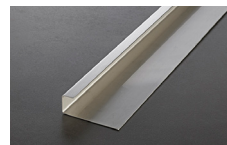
PROSTILT rubber granulate pad with aluminium lining

Dimensions: 200 x 200 mm / 250 x 250 mm

Item no.: 79818 / 79819

Shipping unit: Carton with 50 units

Additional product:



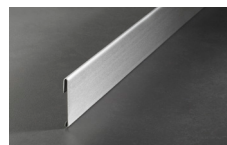
PROSTILT edge profile

Bracket for riser / edge and ending profile

Length: 2,50 m, 75 x 27 x 17 mm

Item no.: 79886

Shipping unit: Carton with 1 unit



PROSTILT facing profile

Stainless steel (V2A) brushed, to cover the butt joint for vertical facing,

Height: 50 mm, length 2,50 m

Item no.: 79850

Shipping unit: Bunch with 10 units



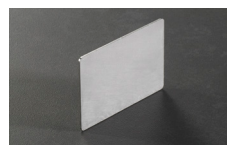
PROSTILT external corner

Stainless steel (V2A) brushed, 90 degrees, to cover the butt joint for vertical facing

Height: 50 mm, 150 x 150 mm and 250 x 250 mm

Item no.: 79851 and 79855

Shipping unit per item



PROSTILT connector

Stainless steel (V2A), for joining profiles, 35 x 60 mm

Item no.: 79852

Shipping unit per item

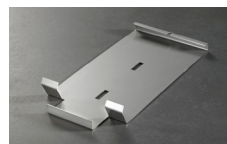


PROSTILT upper clip

Stainless steel (V2A) brushed, for top securing of a vertical facing slab, 142 x 70 mm

Item no.: 79853

Shipping unit: Carton with 10 units



PROSTILT lower clip

Stainless steel (V2A) brushed, for bottom securing of a vertical facing slab, 186 x 90 mm

Item no.: 79854

Shipping unit: Carton with 10 units



PROSTILT clip spacer

Stainless steel (V2A) brushed, with neoprene pad, to secure the covering for wall connection, 142 x 70 mm

Item no.: 79863

Shipping unit: Carton with 10 units

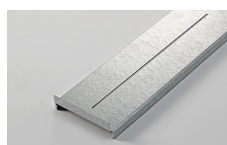


PROSTILT clip spacer

Stainless steel (V2A) brushed, with neoprene pad, to secure the covering for wall connection, 220 x 40 mm

Item no.: 79864

Shipping unit: Carton with 10 units



PROSTILT cantilever

Galvanised, also available in straight or for drain (85 mm)

Dimension: 880 x 150 mm

Item no.: 79831 / 79830

Shipping unit per item



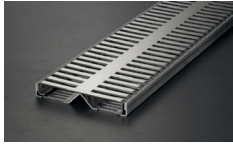
PROSTILT channel set Classic 85 mm

Drainage cover (V2A) brushed, main body (aluminium), including 4 self-cutting screws and 1 connector, 1000 mm x 85 mm x 21 mm

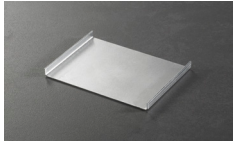
Item no.: 79860

Shipping unit: Carton with 1 unit

PROSTILT pedestal and slab support system



PROSTILT channel set Classic 150 mm
Drainage cover (V2A) brushed, main body (aluminium), incl. 4 self-cutting screws and 1 connector; 1000 mm x 150 mm x 21 mm
Item no.: 79865
Shipping unit: Carton with 1 unit



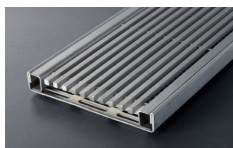
PROSTILT connector for channel set Classic 85 mm, aluminium nature
for coupling channel sets
Item no.: 79862
Shipping unit per item



PROSTILT connector for channel set Classic 150 mm, aluminium nature
for coupling channel sets
Item no.: 79867
Shipping unit per item



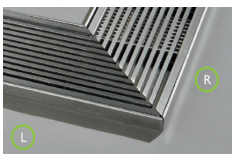
PROSTILT channel set Design 85 mm
Drainage cover (V2A) brushed, main body (aluminium), incl. fastening screws, 1000 mm x 85 mm x 21 mm
Item no.: 79858
Shipping unit: Carton with 1 unit



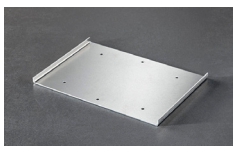
PROSTILT channel set Design 150 mm
Drainage cover (V2A) brushed, main body (aluminium), incl. fastening screws, 1000 mm x 150 mm x 21 mm
Item no.: 79859
Shipping unit: Carton with 1 unit



PROSTILT channel set Design 85 mm with mitre cut
Drainage cover (V2A) brushed, main body (aluminium), incl. fastening screws, 1000 mm x 85 mm x 21 mm
Item no.: 79840 left
Item no.: 79841 right
Shipping unit: Carton with 1 unit



PROSTILT channel set Design 150 mm with mitre cut
Drainage cover (V2A) brushed, main body (aluminium), incl. fastening screws, 1000 mm x 150 mm x 21 mm
Item no.: 79842 left
Item no.: 79843 right
Shipping unit: Carton with 1 unit



PROSTILT connector for channel set Design, aluminium nature
Connector for PROSTILT channel set Design incl. 6 fastening screws
Item no.: 79848 for 85 mm channel set
Item no.: 79849 for 150 mm channel set
Shipping unit per item



PROSTILT head pieces for channel set Classic and Design, aluminium nature
Item no.: 79856 for 85 mm channel set
Item no.: 79857 for 150 mm channel set
Shipping unit: set 2

PROSTILT pedestal and slab support system

Laying/processing:

The laying surfaces are usually:

Terraces in contact with soil, loggia, balconies, roof patios, depending on the design with

- Sealing sheets and their recommended screeds according to DIN 18531 T5
- Fluid, channel or slab-shaped compound seals
- Reaction resin seals or coating
- Concrete surfaces may also be laid without seals

Preparing the ground

The surfaces where the coverings are to be laid should preferably have a gradient of 2 % to ensure surface water is drained as quickly as possible and to avoid water accumulation.

The surfaces where the coverings are to be laid must have sufficient loading capacity for the intended loads and should not give or oscillate. This applies in particular to insulating material under the seal. Preferably, XPS insulating materials, PU insulating materials or foam glass insulating materials should be used, which exceed a compression stress of 200 KPa at 10 % compression. The surfaces on which the coverings are to be laid should be free of coarse dirt and contaminants.

Processing

The pre-mounted pedestal supports consist of a foot element, a threaded bolt for continuous height adjustment and a laying slab with 4 crosswise joint bars (thickness 3 mm). The joint bars can be removed individually by gently breaking them off. The surface for laying can therefore be adapted for laying in rows, as a T-joint or for placing a laying slab.

The cutting guide grid on the underside of the foot elements facilitates the shortening of the foot elements, which can be prepared for installation close to a wall or for use in a corner or facing location. Ready-cut pedestal supports for corner or wall solutions can also be supplied.

The height adjustment of the pedestal support can be carried out without a tool under the load of slabs already laid, by turning the threaded sleeve.

Provided pedestal supports are used on a sheet-type compound seal, we recommend laying an additional screed, or the use of **PROSTILT** rubber granulate pads under the pedestal supports, to avoid plasticiser migration and to protect the compound seal from damage when being laid.

If additional gradient balancing has to be carried out, this is possible with the gradient disc, which is placed under the pedestal support or with a **PROSTILT** adapter head.

The **PROSTILT** pedestal supports are placed under the slab covering and adjusted to the height. The straight and even arrangement of the rows of slabs is to be ensured with further laying. Using the balancing discs that can be divided up into the individual segments, the 4 positioning surfaces of the pedestal support can also be adjusted individually by height.

Laying is preferably carried out in the direction of the gradient.

Slabs next to structural elements are to be laid with the **PROSTILT clip** spacer, to ensure that mechanical damage of the structural element by the slab is avoided.

For rapid drainage in wall areas, we recommend using the **PROSTILT** drainage set, which should be installed provided the connection height of the seal in the door threshold area is less than 15 cm above the upper edge of the slab.

The edging of free laying areas with a vertical facing plate is carried out using the **PROSTILT** upper / lower clip or upper clip / U-profile. The facing plate is also to be cut at the corresponding height from the surface covering material. The adjustable foot must be cut on two sides for the corner position and on one side for the in-line installation.

Version upper clip / lower clip: The riser is placed on the **PROSTILT** lower clip, and the upper clip is attached to the plate which is then glued to the laying plate using PI adhesive.

Version upper clip / U-profile: The U-profile is screwed to the wall or step which needs the facing plate and the riser is adjusted. The upper clip is attached to the plate which is then glued to the laying plate using PI adhesive.

With the **PROSTILT** V2A stainless steel brushed facing profile to be hung on the upper clips, the joint is elegantly concealed between the facing plate and upper covering. To prevent shifting under loads, the **PROSTILT** system components are also to be glued together to the floor surface using a suitable adhesive (e.g. Ottocol M500 hybrid adhesive and sealant).

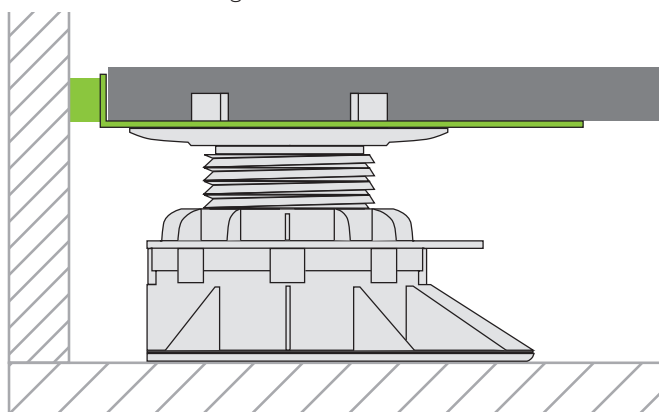
PROSTILT pedestal and slab support system

Use:

The following graphics give a guide to usage:

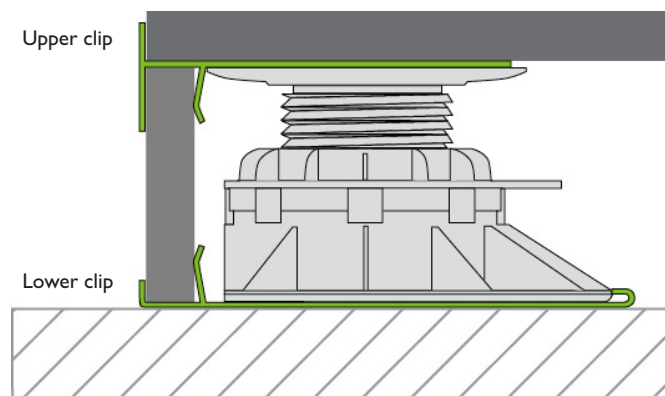
PROSTILT clip spacer with neoprene pad

For securing the component / covering from coming loose and mechanical damage



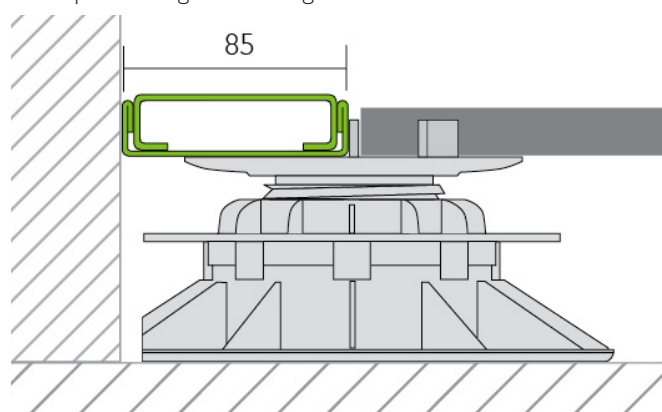
PROSTILT upper and lower clip

For edging and securing the covering at the free edges of the covering



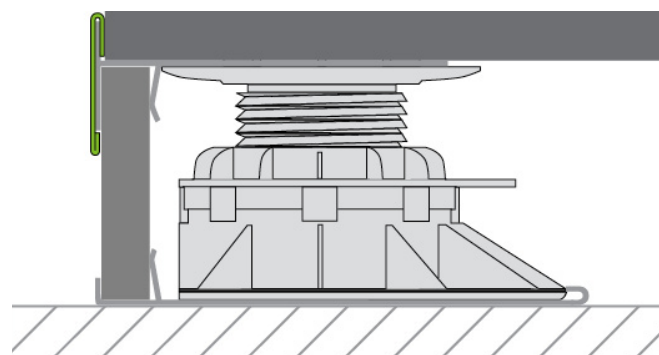
PROSTILT drainage set

For rapid drainage in the edge area



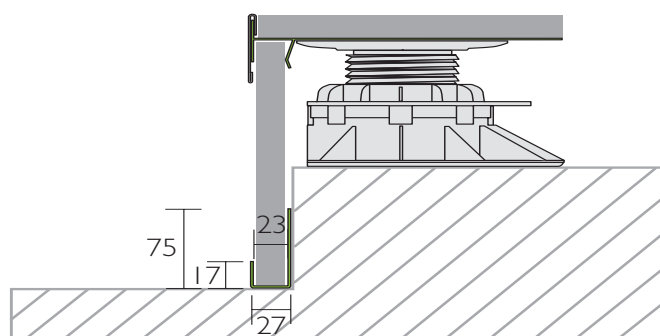
PROSTILT facing profile in V2A brushed stainless steel

To cover the butt joint at the vertical facing



PROSTILT upper clip / U-Profile lower

To frame and protect the free edges of the flooring



PROSTILT pedestal and slab support system

Standards and regulations:

It is recommended that the following standards and regulations are taken into account:

- DIN 18531-5, Waterproofing of roofs, balconies and walkways - Part 5: Balconies and walkways
- DIN 18560 "Screeds in building construction"
- Regulations of the German roofing trade, "Regulations for roofs with sealing"
- ZDB data sheet "Outdoor floorings"
- DIN 18040-2 Barrier-free construction, flats
- DIN 1986-100 "Drainage systems for buildings and properties"
- Structural information on natural stone, I.4 "Outdoor floorings" from the German Natural Stone Association
- ATV DIN 18336 Sealing work
- ATV DIN 18332 Natural stone laying

Important notes:

- **PROSTILT** pedestal supports are suitable for creating walkable paved areas in private residential areas and publicly used areas; the area must not be driven on.
- Coverings such as ceramic, concrete or natural stone must be checked in advance for their suitability on pedestal supports, or must be approved by the manufacturer for use on pedestal supports.
- The use of pedestal supports on drainage mats is not recommended
- Provided no facing solution is required, slabs of > 21 mm thickness can also be laid
- If the axial dimension of the slabs to be laid is more than 60 cm, the slab is to be supported in the axis with additional pedestal supports.
- For free laying, the free covering edges must be secured with suitable edging (e.g. in conjunction with **PROSTILT** upper and lower clip and **PROSTILT** facing profile) against slippage of the covering.
- From a planning point of view, it must be ensured in advance that outer rows of pedestal supports can be stabilised by means of an abutment such as edging stones, masonry walls, elevations or similar and secured against slipping. This particularly applies to roof waterproofing, bitumen-based exterior water-proofing and gravel substrates.

All details, references, notes, applicable specialist regulations, guidelines, standards and specialist knowledge are directed towards the German, and insofar as they are congruent, to the existing European regulations and training standards, irrespective of additional country-specific extensions or modifications. All our information is based on our experience and carefully performed tests. The variety of additional material that might be used and differing construction and working conditions cannot be individually checked or influenced by us. The fulfilment of an outstanding service contract and the manufacturing of a demonstrable functional capability of the trades is therefore dependent on adherence to the current VOB (German Construction Contract Procedures) regulations and recognised technological rules.

Our details do not preclude responsible planners and processors from their duty to independently assess the conditions of a building and suitable application of the products. In case of doubt, please seek technical application advice or carry out your own tests. The manufacturer's guidelines for laying and processing the surfacing material or the guidelines for other products used must be observed.

The publication of this product data sheet invalidates all previous product data sheets.

© Proline Systems 2021 – reproduction and passing on by your customer to their customer is permitted, insofar as there is a clear indication of our copyright. All other rights reserved.